

DISCOVER SWOOD SOLUTION

SOLIDWORKS INTEGRATION

- Worldwide leader in industrial and educational sectors
- Ergonomic and intuitive environment
- Multi-material project management
- Access to a complete ecosystem
- Collaborative work management

CERTIFIED
Gold
Product

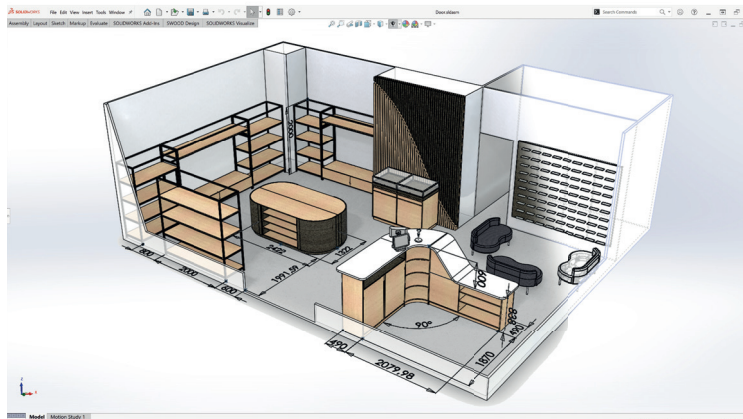
SOLIDWORKS



DESIGN

Advanced 3D parametric functions

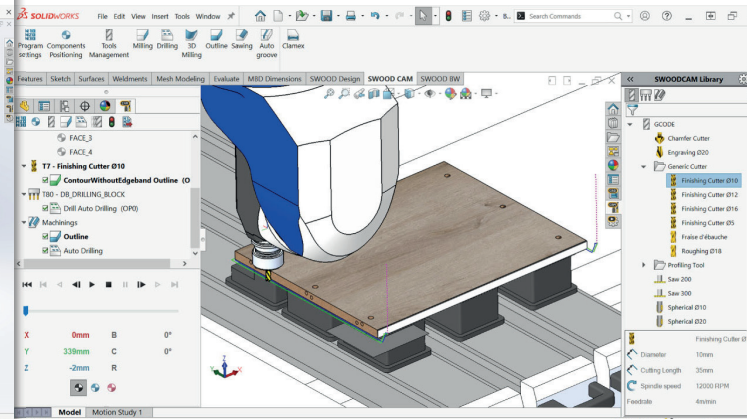
Total design freedom
Streamlining repetitive tasks
Total control over materials
Centralized documents and project information



MANUFACTURE

Production data for the workshop

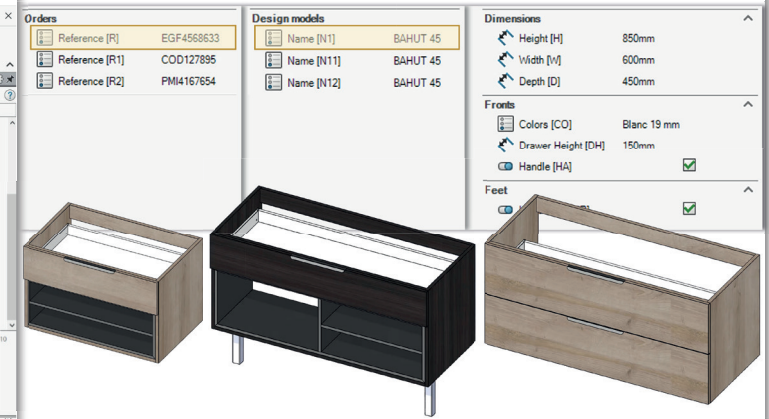
Reliable program generation
Complex 3 to 5 axis machining strategies
Machine technology management
Customizable nesting strategies



AUTOMATE

Process automation

Import/export of project data
Automatic data management
Mass order processing
Customized processes



SWOOD DESIGN



3D parametric capabilities



Material management



Customisable libraries



Complex shapes



Complete project report

SWOOD CAM



Shape recognition



Custom post-processors



Automatic nesting



Part holding strategies



Specific tool libraries



Worktable management



Multi-project optimization



Workshop documents

SWOOD NESTING



Data import/export



Parameter computation



Automatic data generation



Data review



Complete digital chain

SWOOD CENTER

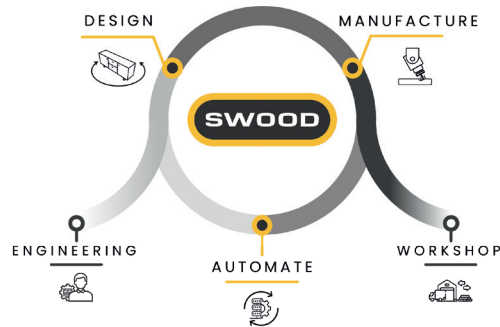
SWOOD

SWOOD is a complete solution developed to meet the specific challenges of the woodworking industry.

A COMPLETE SOLUTION

Integrated with SOLIDWORKS, the solution includes specific software for design, production and automation, meeting the needs of woodworkers throughout their projects.

To ensure a continuous flow of information at every stage of the process, our softwares are linked together, making SWOOD a complete solution for wood projects.



SWOOD ECOSYSTEM

Partnerships with leading woodworking companies enable SWOOD to offer the latest hardware, ensure machine compatibility, connect to third-party software, and much more.

SWOOD

by EFICAD

DEDICATED WOOD EXPERTISE

- **CAD/CAM solution**
For over 35 years
- **Team of professionals**
Dedicated to the wood market
- **A constantly evolving solution**
New versions every year
- **Network of certified resellers**
In France and over 60 countries

CERTIFIED PARTNER

BEACON

beacon-india.com/swood/
info@beacon-india.com
+91 74066 63589



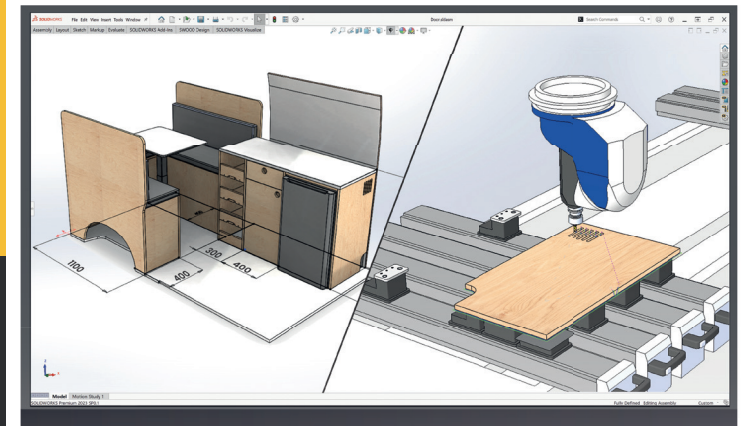
- SWOOD by EFICAD
- SWOOD.EFICAD
- BySwood
- SWOOD by EFICAD



SWOOD

by EFICAD

CAD CAM SOFTWARE DEDICATED TO WOODWORKING



DESIGN

MANUFACTURE

AUTOMATE

www.swood.eficad.com

